

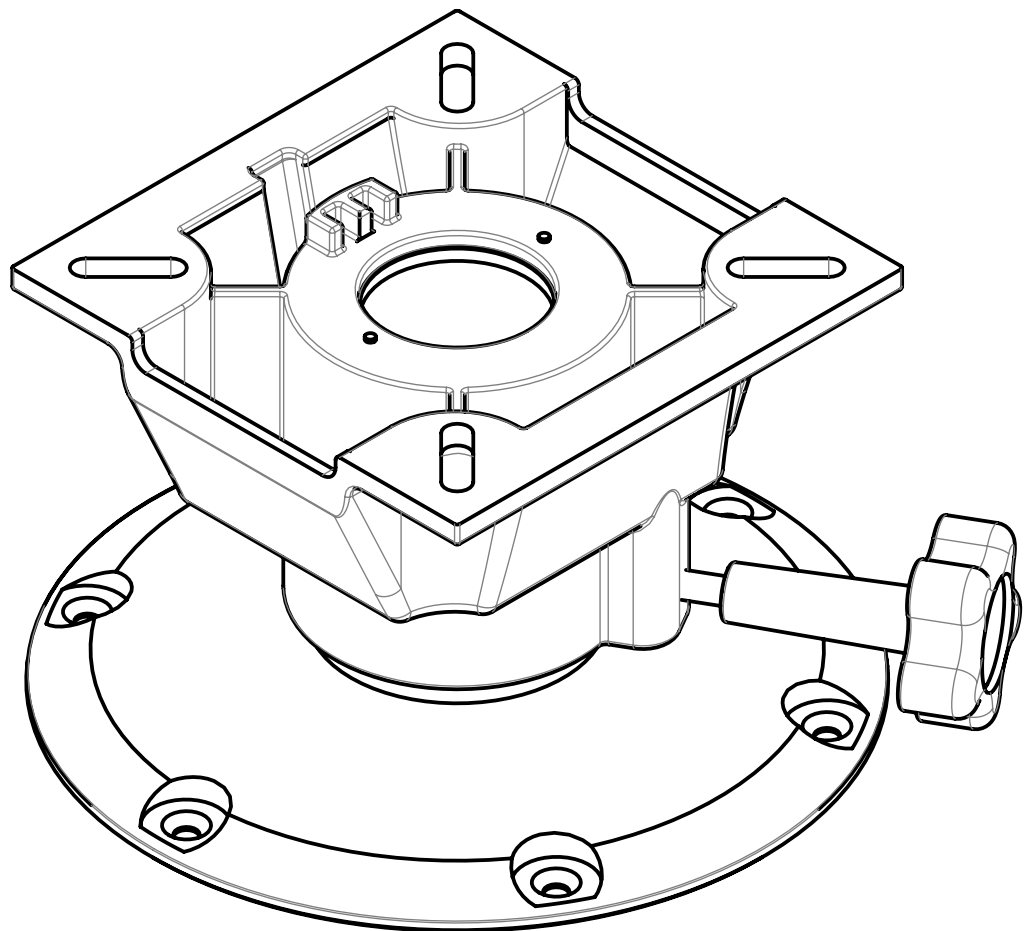
Base with swivel, low profile

MAIN PRODUCT MATERIALS:

- LOW PROFILE BASE MADE OF HIGH GRADE ANODISED ALUMINUM
- SYNTHETIC KNOB AND FRICTION CAP.

MAIN SPECIFICATIONS:

- 360 DEG. ROTABLE SWIVEL.



Base with swivel, low profile

